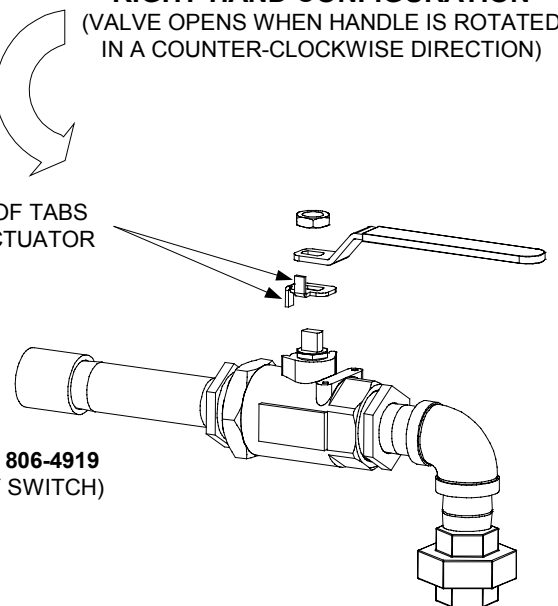
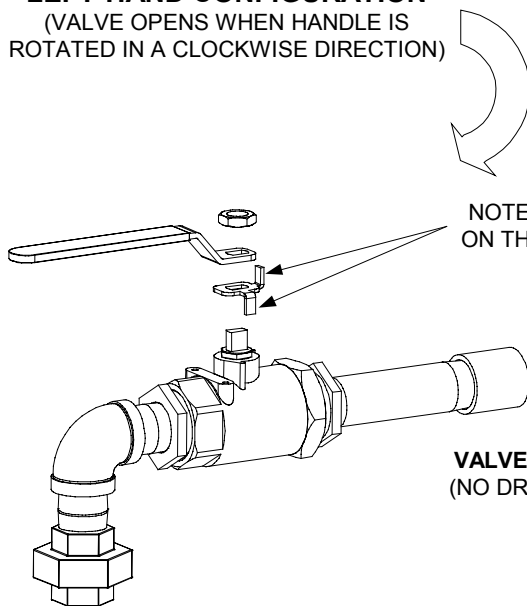


# CONFIGURATION INSTRUCTIONS FOR KJ3FC DRAIN VALVES 806-4919 AND 806-6353

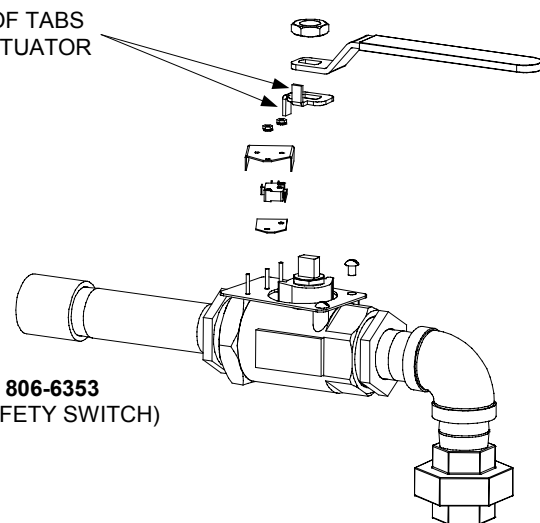
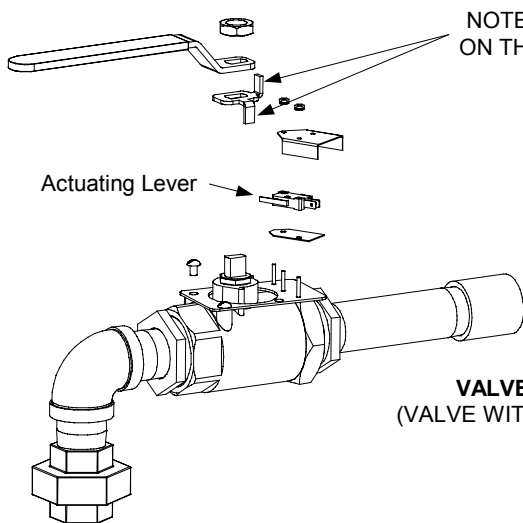
Configuring these valve assemblies for left- or right-hand operation consists of positioning the valve actuator over the valve stem beneath the handle and bending the tabs appropriately. Refer to the illustrations below to determine the proper positioning of the tabs on the valve actuator.

**LEFT-HAND CONFIGURATION**  
(VALVE OPENS WHEN HANDLE IS  
ROTATED IN A CLOCKWISE DIRECTION)

**RIGHT-HAND CONFIGURATION**  
(VALVE OPENS WHEN HANDLE IS ROTATED  
IN A COUNTER-CLOCKWISE DIRECTION)



**VALVE ASSEMBLY 806-4919**  
(NO DRAIN SAFETY SWITCH)



**VALVE ASSEMBLY 806-6353**  
(VALVE WITH DRAIN SAFETY SWITCH)

Assemble the drain safety switch as shown in the illustrations above.  
The actuating lever on the switch must face the front of the fryer.